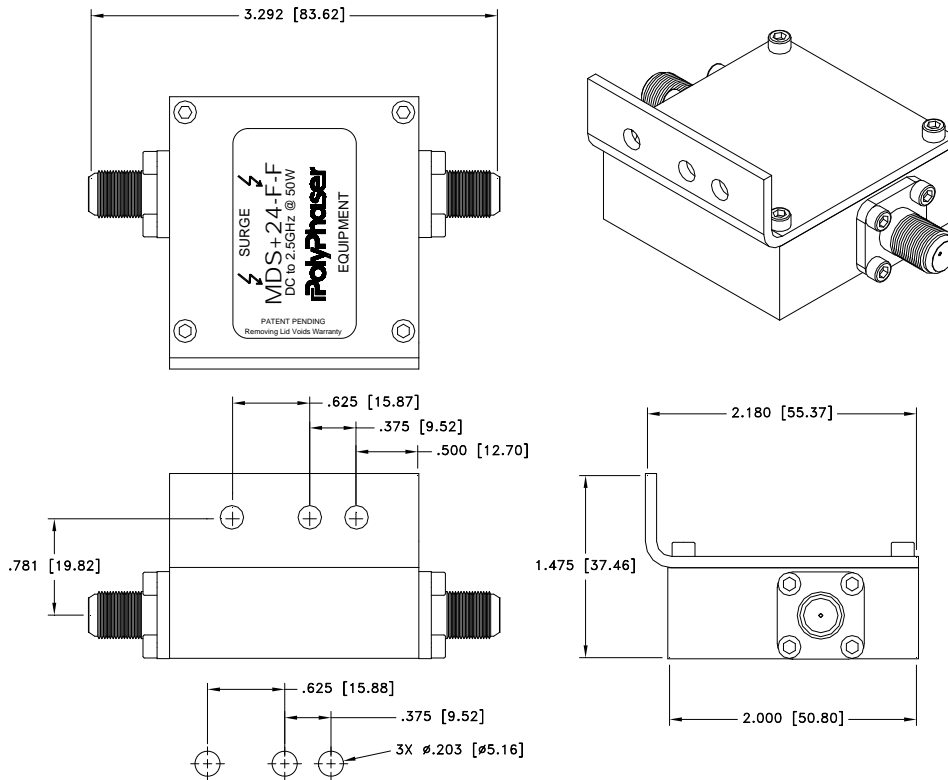


IMPULSE SUPPRESSOR INSTALLATION
PLEASE READ SHEET BEFORE INSTALLING

MDS+24-F-F

The MDS+24-F-F is used in either transmit or receive configurations. Capable of passing +24Vdc @ 3A, it can easily be used to pass dc power to a transceiver head located on a tower top antenna. The MDS+24-F-F has a frequency range of dc to 2.5GHz. Maximum RF input power is 50 watts. The maximum surge capability is 3,000A.



HOLE PATTERN

IT IS VERY IMPORTANT THIS UNIT BE GROUNDED TO A LOW IMPEDANCE (LOW R AND LOW L) GROUND SYSTEM IN ORDER TO WORK PROPERLY. When attaching grounding stud (M8), use maximum of 88.5 lbf-in.

[10 N-m] of torque. We strongly recommend this ground be interconnected to the tower ground and power ground to form one system. To minimize the "in-air" interconnect inductance to the ground system since skin effect is present, use as straight and as large a surface area strap as possible. Keep bends to 8.0" [203.2mm] radius or larger.

The transmission line is only one means of having damaging impulse energy enter your equipment. We strongly recommend power line and telephone line protectors be used on the equipment.

WARNING- Do not connect when a storm is near! **Do not connect** when transmissions are occurring! **Do not stay** in an area that has operating equipment in an electrical storm! The impulse suppressor may save the equipment from danger, but it cannot keep you or anyone else safe in the area!

These commodities or technology are exported from the U.S. in accordance with the Export Administration Regulations. Diversion contrary to U.S. law prohibited